

ELEMENT 60/220-240/12 G2 (NEW)

ELEMENT G2 12V | Constant Voltage – Non dimmable



Product family features

- Linear form factor
- Power factor: >0.95 at full load
- Total Harmonic Distortion (THD): < 15%
- Output voltage tolerance: < 3%
- Up to 30,000 h @ T_c max / up to 50,000 h @ T_c -10 °C
- Lifetime: up to 30,000 h (temperature at max. t_c)

Product family benefits

- High efficiency (up to 91 %)
- Higher quality of light thanks to < 3% output ripple current
- Excellent price/performance ratio
- Class II design for wide application
- 3 years guarantee

Areas of application

- Decorative lighting in hospitality, restaurants and Shops
- Shelf lighting
- Cove lighting
- Under cabinet lighting

Technical data

Electrical data

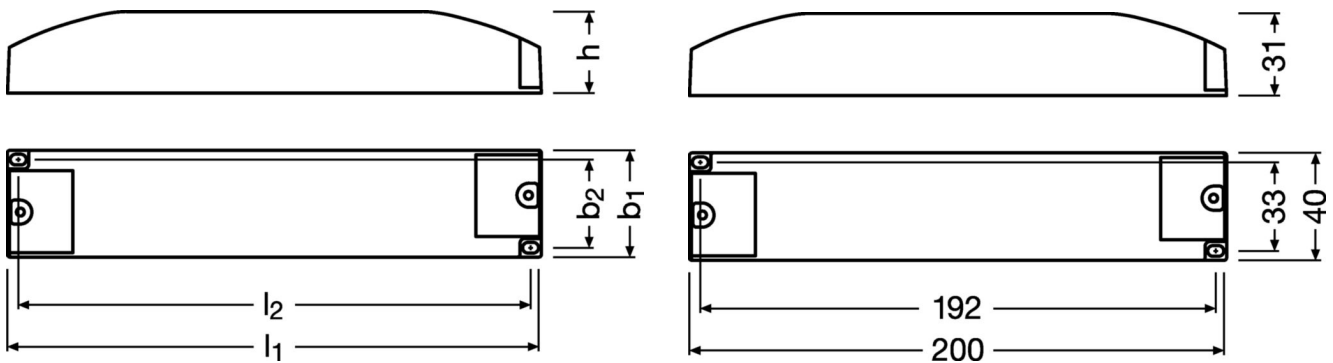
Nominal input voltage	220...240 V
Mains frequency	50...60 Hz
Input voltage AC	198...264 V
Power factor λ	> 0.95
Efficiency in full-load	88 % ¹⁾
Device power loss	8.2 W ²⁾
Inrush current	<20.1 A ³⁾
Max. ECG no. on circuit breaker 10 A (B)	15
Max. ECG no. on circuit breaker 16 A (B)	23
Surge capability (L/N-Ground)	2 kV
Surge capability (L-N)	1 kV
Nominal output voltage	12.5 V
U-OUT (working voltage)	12.125 V ~ 12.875 V
Nominal output power	60 W
Maximum output power	60 W
Galvanic isolation	SELV

1) at 230 V, 50 Hz

2) At Full load, 230 V, 50 Hz

3) Max, $t_h = 230 \mu s$

Dimensions & weight



Length	200.0 mm
Width	40.0 mm
Height	31.0 mm
Cable cross-section, input side	0.75...1.5 mm ²
Cable cross-section, output side	0.5...1.5 mm ²
Wire preparation length, input side	5.0 mm
Product weight	308.00 g

Colors & materials

Casing material	Plastic
-----------------	---------

Temperatures & operating conditions

Ambient temperature range	-20...+50 °C
Maximum temperature at tc test point	85 °C
Max.housing temperature in case of fault	110 °C
Temperature range at storage	-40...+85 °C
Permitted rel. humidity during operation	5...85 % ¹⁾

1) Maximum 56 days/year at 85 %

Lifespan

ECG lifetime	30000 h ¹⁾
---------------------	-----------------------

1) At maximum $T_c = 85^\circ\text{C}$ / 10% failure rate / At maximum $T_c = 75^\circ\text{C}$ / 10% failure rate

Capabilities

Dimmable	No
Max. cable length to lamp/LED module	3.0 m ¹⁾
Suitable for fixtures with prot. class	I / II
Number of channels	1
Short-circuit protection	Yes
Intended for no-load operation	No

1) Output wires must be routed as close as possible to each other

Certificates & standards

Approval marks – approval	BIS / CCC / CE / MM / RCM / UKCA
Standards	Acc. to EN 61347-1 / Acc. to EN 61347-2-13 / Acc. to EN 55015 / Acc. to EN 61547 / Acc. to EN 60598-1 / Acc. to EN 62384 / Acc. to CISPR 15 / Acc. to EN 61000-3-2/IEC 61000-3-2
Type of protection	IP20

Logistical data

Commodity code	85044083900
-----------------------	-------------

Environmental information

Information according Art. 33 of EU Regulation (EC) 1907/2006 (REACH)	
Date of Declaration	29-05-2024
Primary Article Identifier	4062172277860
Declaration No. in SCIP database	In work
SCIP_STATUS	In work
SCIP_ID	

Download Data

File		
Mandatory Publications	PDF	▶ELEMENT 12V G2 CE 4399675 04 240724
Mandatory Publications	PDF	▶ELEMENT 12V G2 UKD 4438367 02 240724
User instruction	PDF	▶ELEMENT G2

Logistical Data

Product code	Product description	Packaging unit (Pieces/Unit)	Dimensions (length x width x height)	Volume	Gross weight
4062172277860	ELEMENT 60/220-240/12 G2	Shipping carton box 30 Pieces	421 x 225 x 141 mm	13.36 dm ³	328.43 g

The mentioned product code describes the smallest quantity unit which can be ordered. One shipping unit can contain one or more single products. When placing an order, for the quantity please enter single or multiples of a shipping unit

Disclaimer

Subject to change without notice. Errors and omission excepted. Always make sure to use the most recent release.